

THIS DRAWING IS UNPUBLISHED.

RELEASED FOR PUBLICATION

1998

© COPYRIGHT 1998

ALL RIGHTS RESERVED.

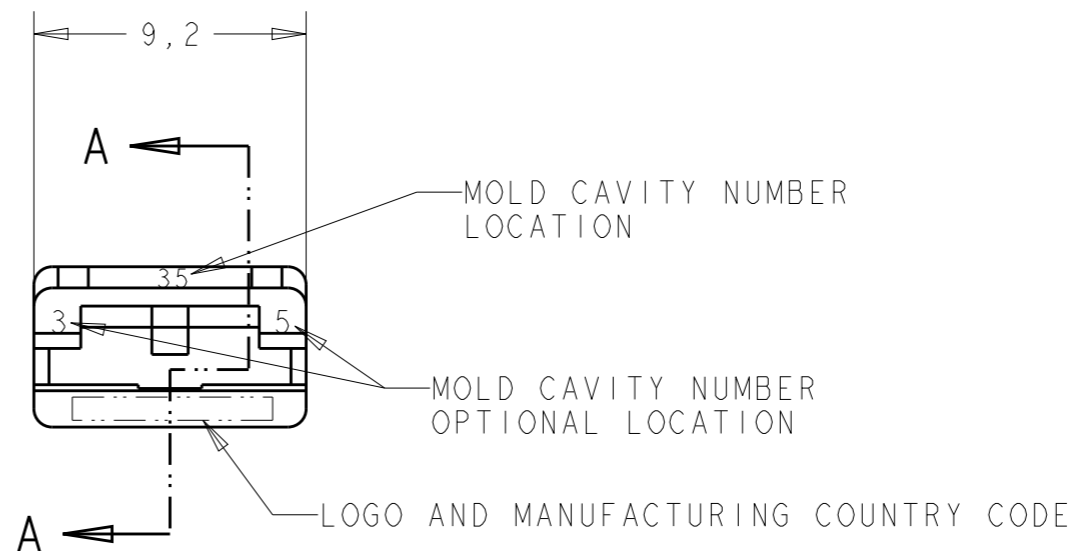
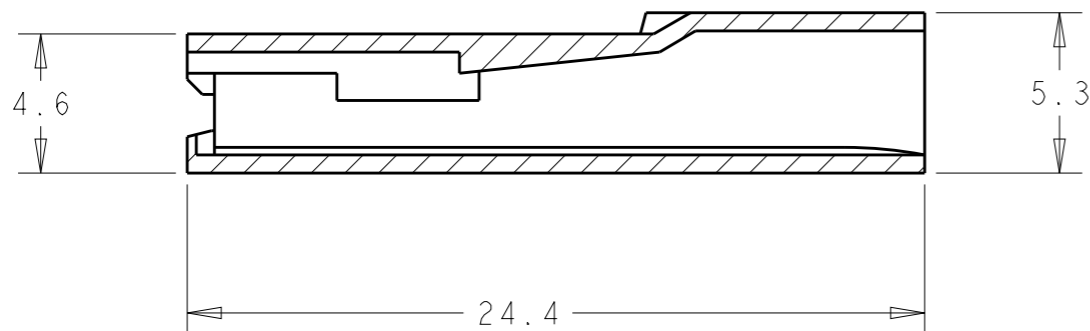
LOC
AP

DIST
-

REVISIONS

P	LTR	DESCRIPTION	DATE	DWN	APVD
	V7	REDRAW ECO-12-009353	07DEC2012	HC	WLS
	V8	REV .BY ECO 16-010419	15JULY2016	HC	WLS
	V9	REVISED BY ECO 16-010765	20JULY2016	HC	WLS

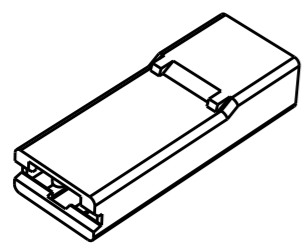
SECTION A-A
SCALE 4:1



- ① - PA 6.6 ACCORDING TO SPEC. IEC 60335-1 GWT 750°C WITHOUT FLAME.
- ② - PA 6.6 94 V-2 THERMO STABILIZED.
- ③ - PACKAGING QUANTITY: 15000 PIECES IN A BOX.
- ④ - PAKAGING: 25 PLASTIC BAGS WITH 300 PIECES EACH IN A BOX. TOTAL 7500 PIECES/BOX

NEGRO/BLACK	POLYAMIDE 6/6 V-2	8-735075-2 ④
NEGRO/BLACK	POLYAMIDE 6/6 V-2 ②	8-735075-1
NATURAL/CLEAR	POLYAMIDE 6/6 V-0 ①	8-735075-0
NATURAL/CLEAR	POLYAMIDE 6/6 V-0	6-735075-0
NATURAL/CLEAR	POLYAMIDE 6/6 V-0	2-735075-6 ③
NEGRO/BLACK	PA 6.6 V-2	1-735075-5
AMARELO/YELLOW		1-735075-4
AZUL/BLUE		1-735075-3
VERMELHO/RED		1-735075-1
NATURAL/CLEAR		1-735075-0
NEGRO/BLACK		POLIPROPILENO/POLYPROPYLENE
VERDE/GREEN	735075-2 ③	
VERMELHO/RED	735075-1 ③	
NATURAL/CLEAR	735075-0	
COR/COLOR	MATERIAL	PART NUMBER

OBSOLETE
OBSOLETE



THIS DRAWING IS A CONTROLLED DOCUMENT.		DWN H. CANTERI 06DEC2012	TE Connectivity					
DIMENSIONS: mm		CHK W.L. STEFANI 07DEC2012						
TOLERANCES UNLESS OTHERWISE SPECIFIED:		APVD -	NAME POST INSULATION FASTON 6,35 mm. HSG.					
0 PLC ± 1 PL ± 2 FC ± 3 FC ± 4 PL ± ANGLES ± FINISH ±		PRODUCT SPEC 108-22033	SIZE A3	CAGE CODE 00779	DRAWING NO G-735075	RESTRICTED TO -		
MATERIAL SEE TABLE		WEIGHT -	Customer Drawing		SCALE -	SHEET 1	OF 1	REV V9